

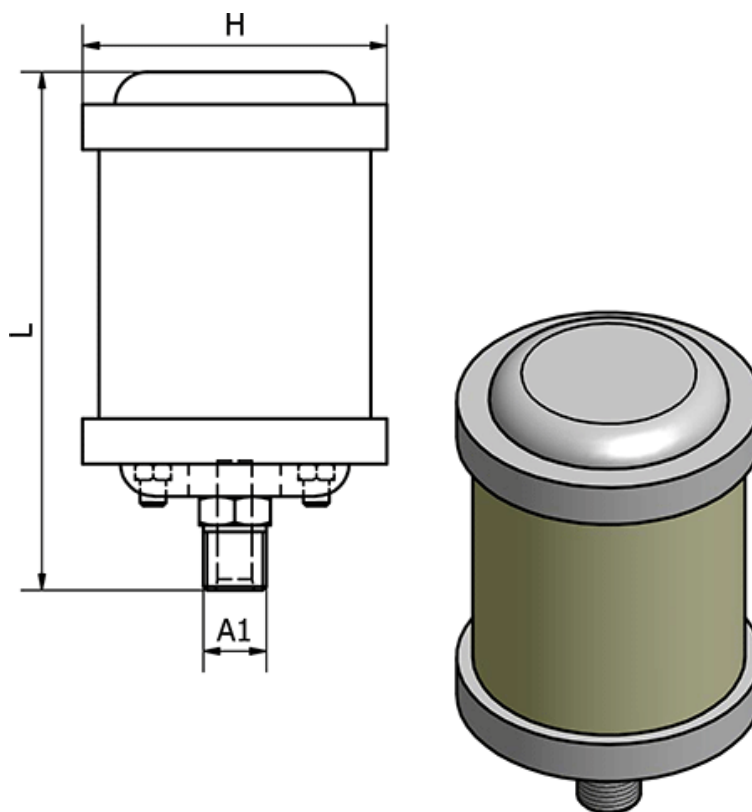
Data Sheet



Article number: 586LX1

Description: Silencers LX-01, - G 1/8"
Silencer With Hi-Flow

Measures



Flow l/min at 5 bar = 1100

H = 47

L = 79

Thread A1 = G 1/8"